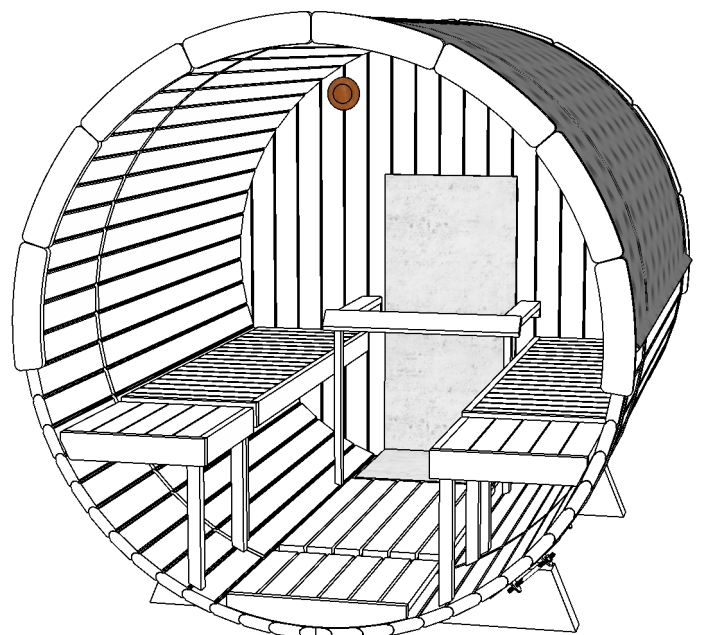
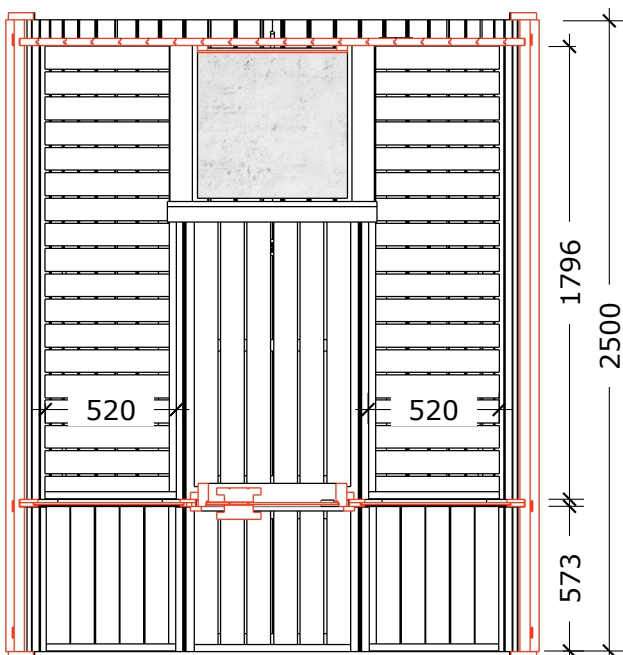
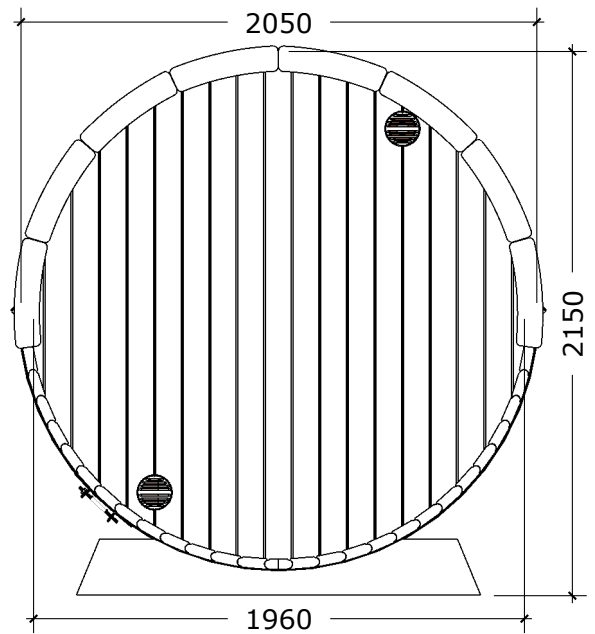
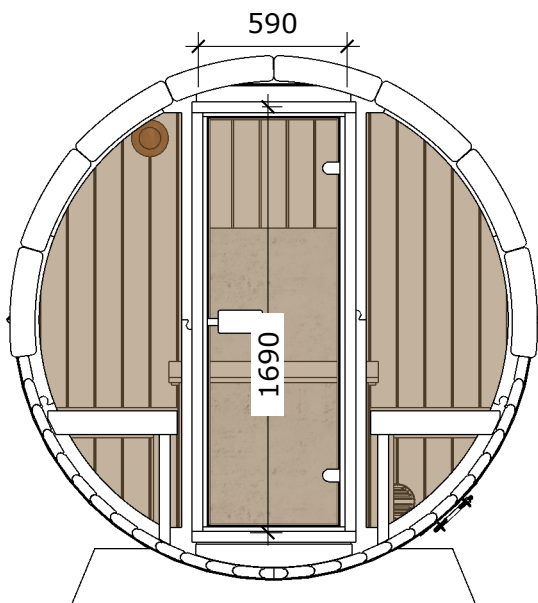
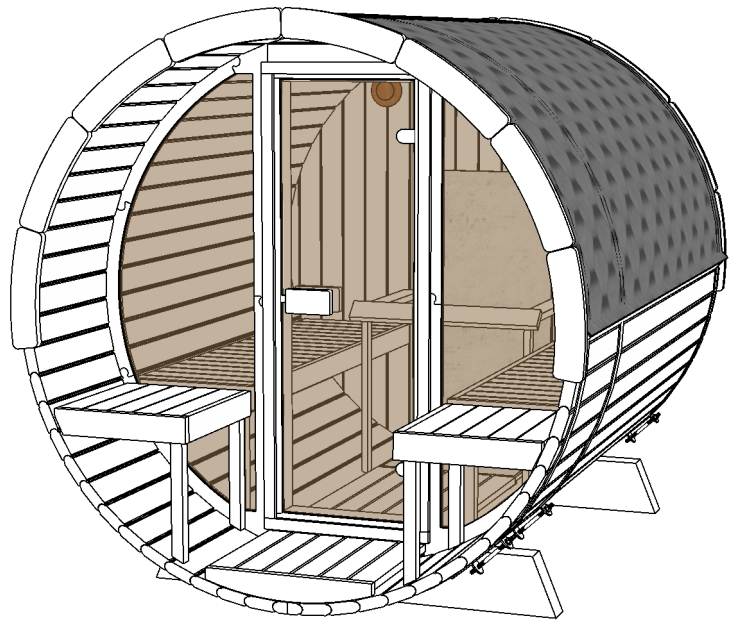
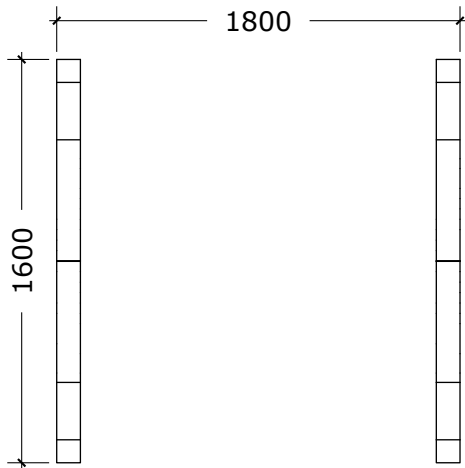


# Sauna 250, Ø200

(Front glass wall)



T20/250KE-PT11T